

SIGN FRAMES

for ADVERTISING & PROMOTION

PLASTICADE®

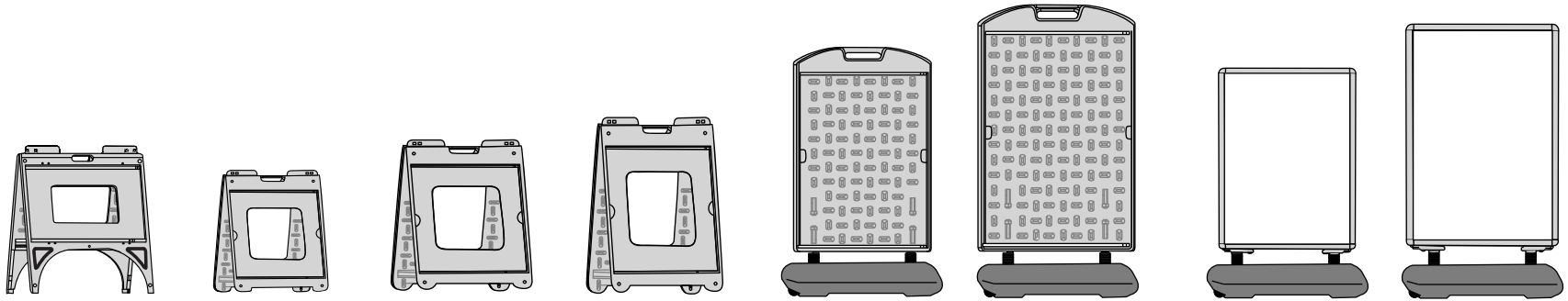


Distributed by

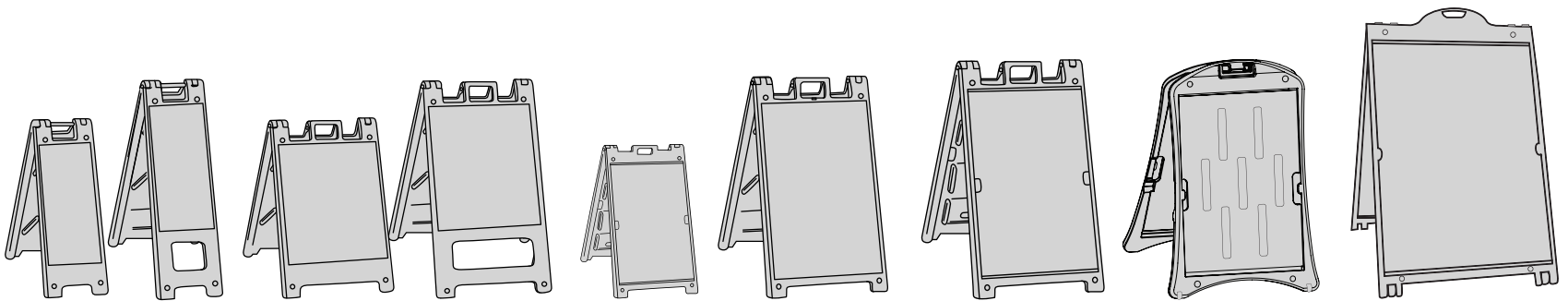
athens
PAPER • PACKAGING • WIDE FORMAT

athenspaper.com

PLASTICADE® Sign Frames & Blank Sizes

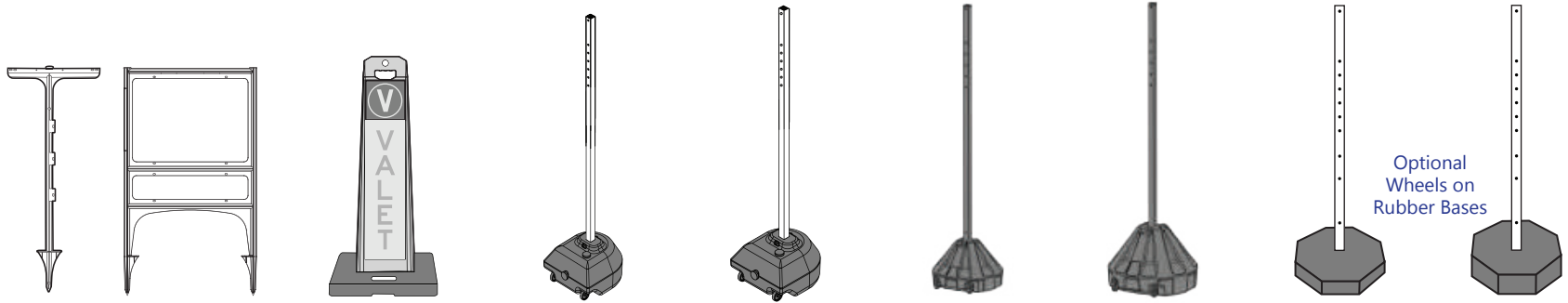


Quik Sign®	SimpoSquare™20	SimpoSquare™24	SimpoSign®II	Wind Sign II	Wind Sign Deluxe	Wind Sign II	Wind Sign Deluxe
24" x 18" w/rider 22" x 6" or larger	20" x 20" w/rider 22" x 6" or larger	24" x 24" w/rider 26" x 6" or larger	22" x 28" w/rider 24" x 6" or larger	24" x 36"	28" x 44"	24" x 36"	28" x 44"
Colors:				Quick-Change™ Frames		Snap Frames	
Colors:				Colors:	Colors:	Colors:	Colors:



Minicade®	Narrowcade®	Squarecade™36	Squarecade™45	Signicade®MDX	Signicade®	Signicade®Deluxe	Signicade®NXT	The Billboard™
12" x 24"	12" x 24"	24" x 24"	24" x 24"	18" x 24"	24" x 36"	24" x 36"	24" x 36"	36" x 48" w/rider 38.5" x 10" or larger & Side Signs
Colors:		Colors:		Colors:	Colors:	Colors:	Colors:	Colors:

Real Estate & Parking Lot Sign Holders



T-cade™	Realicade®	Gemstone™ Valet & Parking Lot Signs	Rock-It™ 18	Rock-It™ 24	Roll-A-Post™ 18	Roll-A-Post™ 24	30 lb. Rubber Base & Post	60 lb. Rubber Base & Post
Various	24" x 18" w/ rider 24" x 6"	8" x 36"	base: 18" x 19.5" x 12.8" post: 60"	base: 24" x 25.5" x 12.8" post: 60"H or 72"H	base: 18" x 12" post: 60"	base: 24" x 16.5" post: 60" & 72"	base: 18.5" x 18.5" post: 60"	base: 18.5" x 18.5" post: 60" & 72"
Colors: ■	Colors: ■ ■	Colors: ■ ■ ■	Post Colors: ■ ■ Base Colors: ■	Post Colors: ■ ■ Base Colors: ■	Post Colors: ■ ■ ■ Base Colors: ■ ■ ■ ■	Post Colors: ■ ■ Base Colors: ■ ■	Post Colors: ■ ■ Base Colors: ■	Post Colors: ■ ■ Base Colors: ■



Unique Quick-Change™ Feature

Slides in easily...



...and stays securely in place.



This icon will appear with the Plasticade signs that have the Quick-Change™ feature.
US Patent # 7,337,569

No clips, bolts, latches or added parts. Can use all rigid sign blanks up to 3/16" thick, including Coroplast™ and aluminum.

Signicade® NXT

The Next Generation of the Signicade

Signicade® Deluxe

Signicade®



- Display two signs per unit.
- Wheels for easy relocation
 - wheels engage when sign is tilted
- Rounded profile.
 - curved top and sides elevate your message
- Quick-Change™ feature
 - slide in a sign in seconds
 - use rigid sign material 3/16" thick or less
- Concealed hinge doubles as a handle.
- Built-in tether keeps sign faces at perfect angle.
 - braided galvanized steel, automatically engages
- Stay Tabs™ ensure signs stay securely in place.
- Can internally weight with dry sand.
 - hidden sand fill ports on back side of frame



Sign	Signicade® NXT
Dimensions	30.5"W x 45"H
Blank Size	24" x 36"
Colors	White, Black
Weight	17 lbs.

All Made in the U.S.A.

- Display two signs per unit.
- Quick-Change™ feature, slide in a sign in seconds.
 - use rigid material 3/16" thick or less
- Stay Tabs™ ensure signs stay securely in place.
- No maintenance - all plastic, use indoors and out.
- No tape Velcro®, or screws needed eliminates fastener damage to signs.
- Can internally weight with sand.
- Hinges lock in open position.
 - prevents over-extended sign faces



Sign	Signicade® Deluxe
Dimensions	27"W x 46.125"H
Blank Size	24" x 36"
Colors	White, Black
Weight	20 lbs.

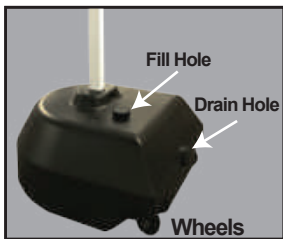
- All plastic sign stand
 - display two signs per unit.
- Recessed sign area helps to protect sign faces and can receive vinyl sheeting (with surface preparations), metal, or plastic sign blanks.
- Can internally weight with dry sand.
- Molded-in handle for easy portability.
- Stacking lugs facilitate handling by keeping stacked units from sliding.



Sign	Signicade®
Dimensions	25"W x 45"H
Blank Size	24" x 36"
Colors	White, Black, Yellow, Orange, Red, Green, Blue
Weight	18 lbs.



- Durable, thick walled plastic bases - won't chip, crack, or crumble
- Rock it back and roll, pre-installed wheels - easy to move when weighted
- Withstands strong winds without tipping over when filled with sand
- Conveniently placed large fill hole and drain hole



- Durable, thick walled plastic bases - no rust, dents, or cracking
- Wheels for easy relocation - sturdy plastic wheels come pre-installed
- Withstands strong winds without tipping over when filled with sand
- Lightweight plastic reduces shipping costs

Can Be Filled With Water!



- Square plastic Power Post™
 - 60" H & 72" H, white & black
 - lightweight and impact resistant, 1.75" W
 - no sign twisting which can occur with round poles
 - will never rust or need painting
 - pre-drilled holes for multiple sign sizes
 - post cap and mounting hardware included



- Durable recycled rubber bases - can be stacked to increase weight - resistant to weather, oil, salt, moisture, and UV light - will not warp, chip, or crack
- Optional wheels - make moving signs easy - heavy duty, non-scratch plastic wheels
- Withstands strong winds without tipping over



**Rubber Base
Optional Wheels**
comes with two double wheel
assemblies installed

All Made in the U.S.A.

Sign	Rock-It™ 18	Rock-It™ 24	Roll-A-Post™ 18 Plastic Base	Roll-A-Post™ 24 Plastic Base	30 lb. Rubber Base	60 lb. Rubber Base	90 lb. Rubber Base
Dimensions	18"Wx12.8"Hx19.5"L	24"Wx12.8"Hx25.5"L	18"Wx12"H	24"Wx16.5"H	18.5"x 18.5"x 2.8"H"	18.5"x 18.5"x 5"H"	18.5"x 18.5"x 7.5"H"
Sign Size	various	various	various	various	various	various	various
Base Colors	Black	Black	Black, Yellow, Red, Blue	Black & Yellow	Black	Black	Black
Post Color	White & Black	White & Black	White & Black	White & Black	White & Black	White & Black	White & Black
Weight	5.5 lbs.	11 lbs.	7 lbs.	10 lbs.	30 lbs.	60 lbs.	90 lbs.

Gemstone™ Valet & Parking Lot Signs



- Available with and without reflective signs pre-applied
 - double sided
 - engineer grade reflective signs
 - recessed sign surface, reduces damage to signs
- Designed to withstand repeated impacts from vehicles
 - Gemstone™ sidewall provides strength & durability
- Oversized handle with comfort grip
 - easily pick up sign with base attached
- Recycled rubber base slides down over sign panel
- Stackable with or without rubber base
- Made in the U.S.A.

Space Saving Design



Carry Handles



9 lb. base
14.5" x 17.5"

20 lb. base
20" x 20"

Sign	Gemstone™
Dimensions	14.75"W x 44.5"H
Sign Size	8" x 36"
Colors	Black, White, & Orange
Base Weights	9 & 20 lbs.

The Billboard™



Signicade®
6 square feet/side
Main Sign Message Area

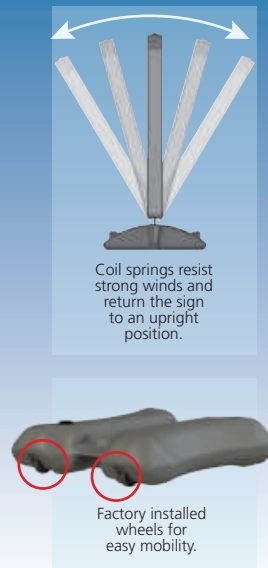
The Billboard™
12 square feet/side
Main Sign Message Area



- Twice as big as a Signicade®
 - perfect for eye-catching outdoor advertising
- Six signs per frame.
 - two 36" x 48" signs
 - two side signs
 - two sided top rider
- Wheels for easy movement indoors and out.
 - no installation necessary
- Quick-Change™ feature,
 - use rigid sign material 3/16" thick or less
- Durable and sturdy.
- Stay Tabs™ ensure signs stay securely in place.
- Can internally weight with dry sand.
- Made in the U.S.A.



Sign	The Billboard™
Dimensions	38.8"W x 57.9"H
Blank Size	36" x 48"
Colors	White, Black
Weight	45 lbs.



- Display two signs per unit.
- Springs connect the frame to the base allowing sign to resist strong winds and return to an upright position.
- Sand fillable plastic base with factory installed wheels.
- Perfect for paper or thin gauge signs.
- Satin aluminum frame, clear PVC protective sign cover.
- Tool free assembly.
- Available in two sizes.



Snap open, place graphic, snap close!



Clear cover is provided to keep poster clean. When used outdoors, weatherproof sign material should be used.

- Display two signs per unit.
- Quick-Change™ feature, slide in a sign
- Springs connect the frame to the base allowing sign to resist strong winds and return to an upright position.
- Sand fillable plastic base with factory installed wheels.
- Accepts rigid sign material less than 3/16" thick.
- Stay Tabs™ ensure signs stay securely in place.
- Tool free assembly.
- Available in two sizes.
- Made in the U.S.A.

Sign	Wind Sign II w/ Snap Frame	Wind Sign II w/ Quick-Change™	Wind Sign Deluxe w/ Snap Frame	Wind Sign Deluxe w/ Quick-Change™
Dimensions (Frame Only)	26"W x 38"H	26"W x 42.9"H	30"W x 46"H	30"W x 51"H
Dimensions (Base Only)	29.5"W x 6.25"H x 24"D	29.5"W x 6.25"H x 24"D	29.5"W x 6.25"H x 24"D	29.5"W x 6.25"H x 24"D
Dimensions Assembled	29.5"W x 40.5"H	29.5"W x 50.5"H	30"W x 54.5"H	30"W x 58.5"H
Blank Size	24" x 36"	24" x 36"	28" x 44"	28" x 44"
Colors	Satin Silver Frame/Gray Base	Gray	Satin Silver Frame/Gray Base	Gray
Total Weight Assembled	30 lbs.	26 lbs.	34 lbs.	31 lbs.
Weight (Base Only)	10 lbs.	10 lbs.	10 lbs.	10 lbs.
Sign Substrate Weight	Max. of 5 lbs./side	Max. of 5 lbs./side	Max. of 5 lbs./side	Max. of 5 lbs./side

SimpoSign® II



**HOLDS
22" x 28"
SIGNS
plus rider**

- Quick-Change™ feature, slide in a sign.
 - use rigid sign material 3/16" thick or less
- Stay Tabs™ ensure sign stays securely in place.
- Grabber hinges hold a sign rider.
 - keep frame from opening too far
- Textured feet help to secure frame on smooth surfaces and dig into soft ground or gravel.
- Internally ballast with up to 6 lbs. of dry sand.
- All plastic - no rust, splinter, discoloration or maintenance.
- Stabilizing Brace prevents the accidental or intentional spreading or closing of the sign faces.
- Made in the U.S.A.



Sign	Simpo® Sign II
Dimensions	24.375"W x 37.25"H
Blank Size	22" x 28"
Colors	White, Black
Weight	10 lbs.

SimpoSquare™ 20 & 24



**HOLDS
20" x 20"
SIGNS
plus rider**

**HOLDS
24" x 24"
SIGNS
plus rider**

- Quick-Change™ feature, slide in a sign.
 - use rigid sign material 3/16" thick or less
- Blanks quickly slide in and out and stay securely in place - no clips, bolts or added parts.
- Grabber hinges hold a sign rider.
 - keep frame from opening too far
- Stay Tabs™ ensure sign stays securely in place.
- Textured feet help to secure frame on smooth surfaces and dig into soft ground or gravel.
- Internally ballast with up to 6 lbs. of dry sand.
- Made in the U.S.A.



Sign	Simpo® Square 20	Simpo® Square 24
Dimensions	22"W x 26.4"H	26"W x 32.3"H
Blank Size	20" x 20"	24" x 24"
Colors	White, Black	White, Black
Weight	5.5 lbs.	7 lbs.

Signicade MDX

Quik Sign®



HOLDS
18" x 24"
SIGNS

- Medium sized version of Signicade Deluxe
- Narrow footprint.
- Easy to move.
- Display two signs per unit.
- Quick-Change™ feature, slide in a sign.
- use rigid material 3/16" thick or less
- No tape Velcro®, or screws needed.
- eliminates fastener damage to signs.
- Stay Tabs™ ensure signs stay securely in place.
- Can internally weight with sand.
- Made in the U.S.A.

Sign	Signicade® MDX
Dimensions	20"W x 31.5"H
Blank Size	18" x 24"
Colors	White, Black
Weight	8 lbs.



HOLDS
24" x 18"
SIGNS
plus rider

- Quick-Change™ feature, slide in a sign.
- use rigid sign material 3/16" thick or less
- Blanks quickly slide in and out and stay securely in place - no clips, bolts or added parts.
- Molded-in stacking lugs nest into each other when units are stacked which prevents sliding.
- All plastic - no rust.
- Stabilizing Brace prevents the accidental or intentional spreading or closing of the sign faces.
- Made in the U.S.A.

Sign	Quik Sign®
Dimensions	26"W x 30.5"H
Blank Size	24" x 18"
Colors	White, Black
Weight	7.5 lbs.

Squarecade™ 45 & 36



HOLDS
24" x 24"
SIGNS

- All plastic signs, great for advertising wherever a smaller sign is needed.
- Recessed sign area helps to protect sign faces and can receive vinyl sheeting (with surface preparations), metal, or plastic sign blanks.
- Hinge locks and keeps the sign stand open.
- Can internally weight with dry sand.
- Made in the U.S.A.



Sign	Squarecade™45	Squarecade™36
Dimensions	25"W x 45"H	25"W x 36"H
Blank Size	24" x 24"	24" x 24"
Colors	White, Yellow, Orange	White, Yellow, Orange
Weight	18 lbs.	17 lbs.

Narrowcade® & Minicade®

10



HOLDS
12" x 24"
SIGNS

- Small and light, these sign stands are great for school crossings, directional signs, or any narrow advertising space.
- Receives vinyl sheeting (with surface preparation), metal, or plastic sign blanks.
- Hinge locks and keeps the sign stand open.
- Can internally weight with dry sand.
- Made in the U.S.A.

**PERFECT FOR
SMALL SPACES**



Sign	Narrowcade®	Minicade®
Dimensions	13"W x 45"H	13"W x 36"H
Blank Size	12" x 24"	12" x 24"
Colors	White, Yellow, Orange	White, Yellow, Orange
Weight	11 lbs.	10 lbs.



**HOLDS
18" x 24"
SIGNS
plus 6" x 24"
rider**

All-Plastic Yard Signs

**MULTIPLE
MOUNTING
HOLES FOR
VARIOUS
SIZE SIGNS**



- All plastic.
 - strong, durable, and lightweight
- No rust, no splinters, no fading, no painting.
- Easy install, transport, and carry.
 - won't catch on or tear car interior
- Print on both sides of signs.
- Slide in a sign panel, tabs hold it in place.
 - recommend using X-mas Tree Fasteners or nuts and bolts to secure sign
- Multiple mounting holes.
 - for affixing standard sign panels
- Use with a rigid sign 3/16" thick or less.
 - accepts aluminum, pvc, steel, and corrugated plastic sign panels
- Made in the U.S.A.

REALICADES



T-CADE



Sign	T-cade™	Realicade®
Dimensions	42.5"H x 17.25"W	45.75"H x 26.75"W
Blank Size	Various	18" x 24"
Colors	Black	White, Black
Weight	1.8 lbs.	3.8 lbs.

Message Boards



Message Boards	
Size	22"W x 28"H
Color	White
Uses	Simpo Sign II

Size	24"W x 36"H
Color	White
Uses	Signicade, Signicade Deluxe, Signicade NXT, Wind Sign II with Quick-Change™

- Coroplast™ Message Board comes with tracks permanently attached and an indexed storage box for letter storage. 2 boards per kit.

- Letter set contains over 300 letters and numbers plus "SALE" and "SPECIAL" headers and more.

Marker Boards



Marker Boards	
Size	22"W x 28"H
Color	White, Black
Uses	Simpo Sign II

Size	24"W x 36"H
Color	White, Black
Uses	Signicade, Signicade Deluxe, Signicade NXT, Wind Sign II with Quick-Change™



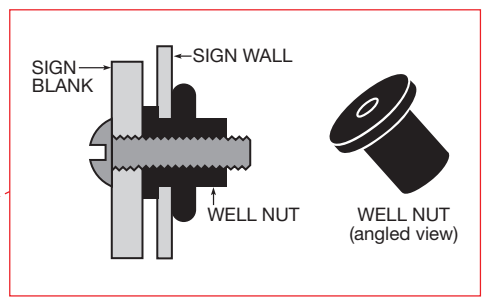
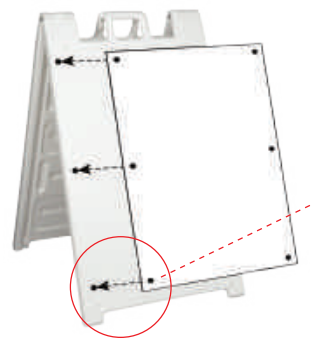
- Marker Board kits include 2 sheets of Coroplast™ and 1 set of 5 neon wet erase markers.

- Markers will not rub off or wash off in the rain (remove with any glass cleaner with ammonia.)

Accessories

WELL NUTS

The use of well nuts on the sign stands makes changing signs easier by providing permanent mounting holes. Use on: Signicade, Squarecades, Narrowcade, and Minicade. (Available in packs of 20)



Distributed by
athens
 PAPER • PACKAGING • WIDE FORMAT

athenspaper.com